



## Step L/N

The handyman on every construction site.

The step is an accessory for the PASCHAL formwork systems LOGO.3, LOGO.alu and NeoR lightweight formwork. Thanks to the platform, better accessibility of tie points and connecting pieces at the top end of the formwork is made possible when shuttering and dismantling.

### Benefits

- Safe working even at greater formwork heights
- Low weight of only 4.7 kg
- Rapid assembly and dismantling
- Compatible with all LOGO and NeoR formwork panels
- Chromed surface for long service life

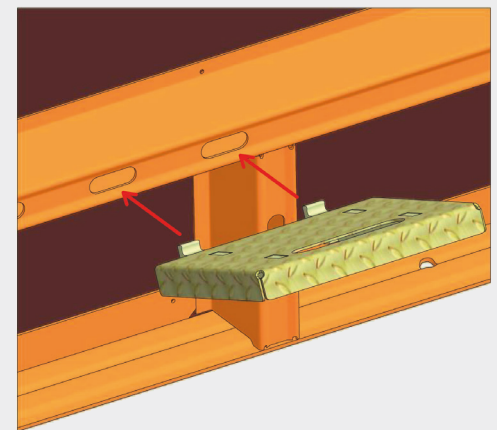
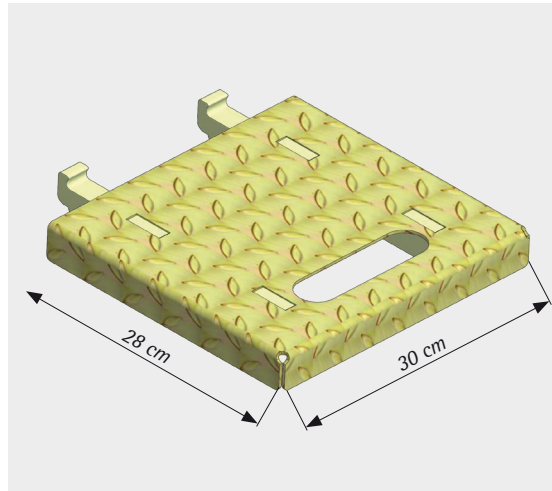
### Simplified assembly and disassembly of connecting pieces

The height gained allows connecting pieces such as wedge clamps, keybolts, multi clamps, tie rods and plates with ball-and-socket joint as well as crane attachments to be safely attached when planking and then easily removed again when dismantling.

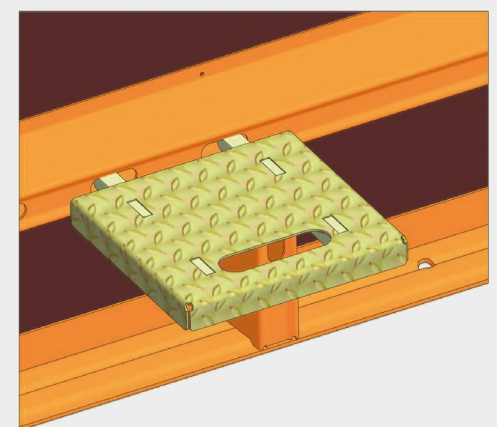
### Compatible with LOGO and NeoR formwork panels

The step can be used with all LOGO.3, LOGO.alu and NeoR formwork panels as the hole spacing between the elongated holes in the omega profile is 15 cm.

If the step is used with a LOGO.3 panel 270 x 340 cm or a NeoR panel 180 x 300 cm, it can be inserted into the bottom cross section. This offers a 30 cm larger action radius – which makes a huge difference for all shuttering work.



*For assembly, the step is at a slight angle to allow the mounting brackets to be inserted into the elongated holes on the panel cross sections.*



*The step is then folded down to provide a safe working area.*