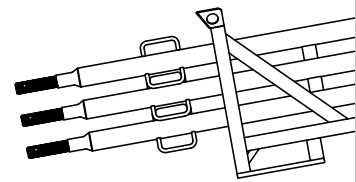
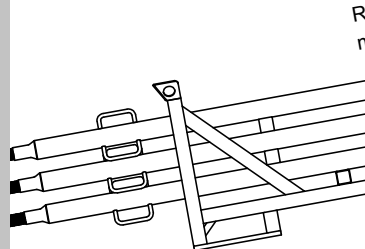
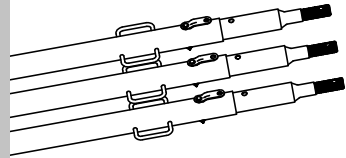
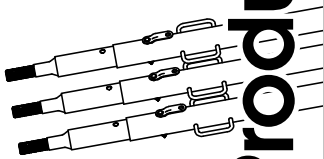
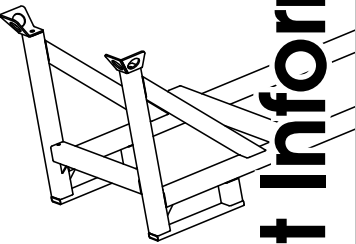
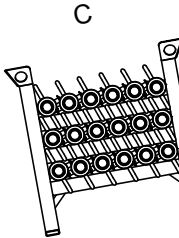
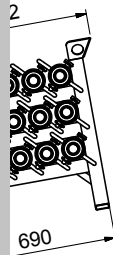
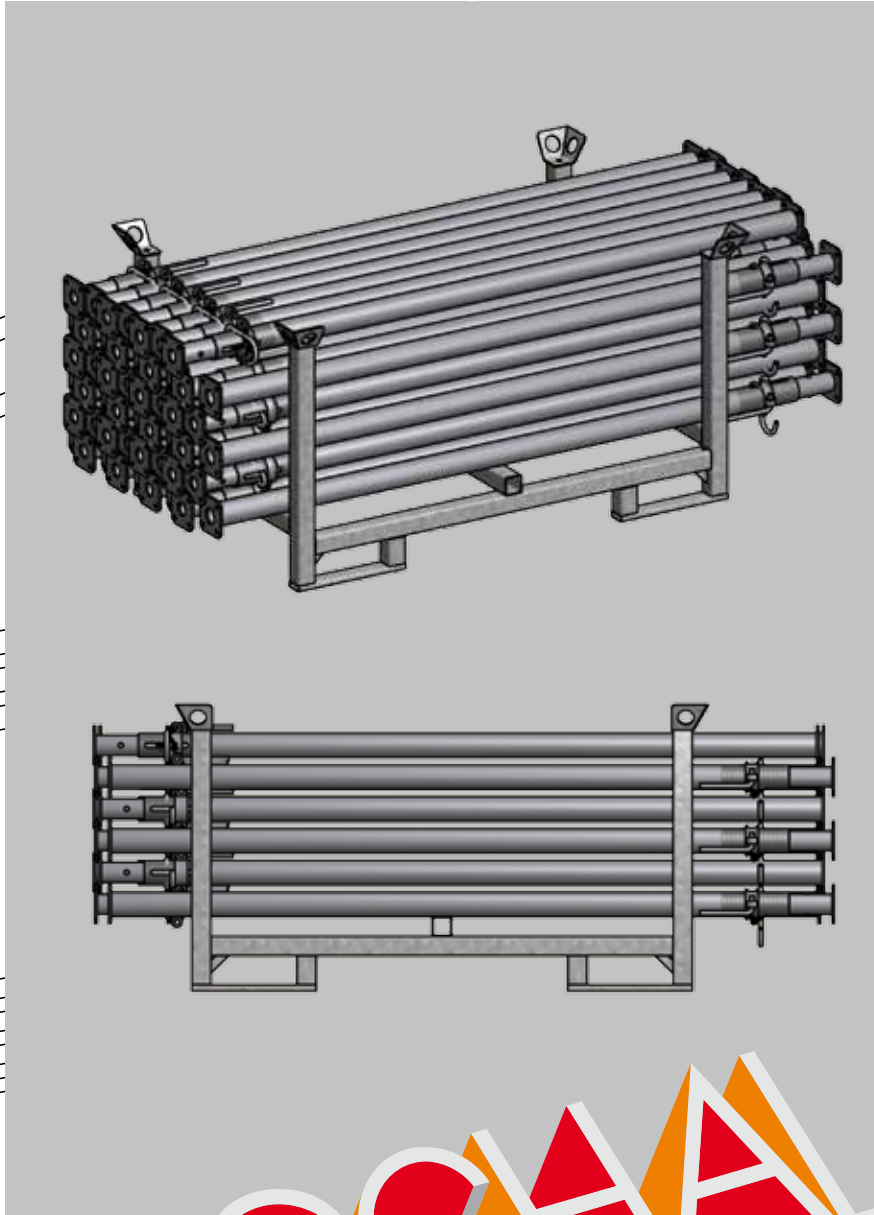


Stacking pallet

Product Information

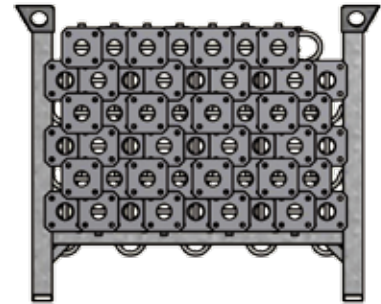


Service in Formwork + Shoring

Stacking pallet

Benefits

- stacking pallets for transport and storage of formwork material
- two different sizes
- little required place
- multi stacking
- galvanized, long lifecycle time



Stacking pallet

Length: 1,65 m Width: 1,10 m Height: 0,90 m



PASCHAL-Werk
G. Maier GmbH
D-77790 Steinach
Phone 07832/71-0
Type: Stacking pallet

Dead weight: 60 kg
Bearing capacity: 1500 kg
adm. stacking height: 4 pallets

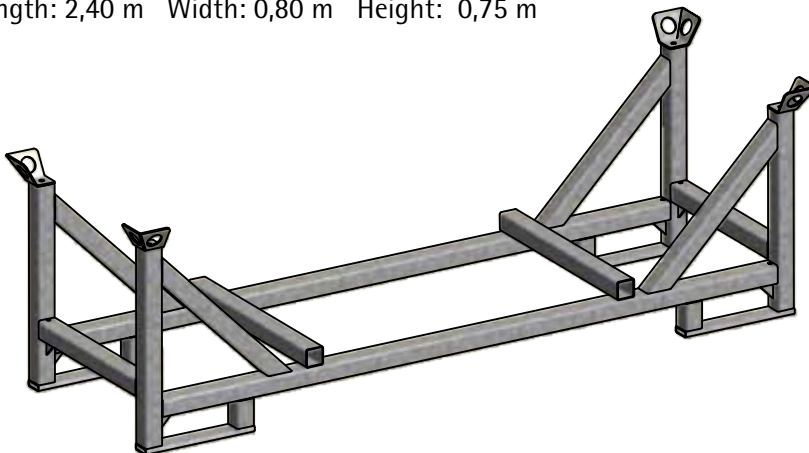
To transport with quadruple crane tackle (length ≥ 2 m) to be fixed at the provided lifting eyes.

Respect instructions for use!

Year of construction

Stacking pallet long

Length: 2,40 m Width: 0,80 m Height: 0,75 m



PASCHAL-Werk
G. Maier GmbH
D-77790 Steinach
Phone 07832/71-0
Type: Stacking pallet long

Dead weight: 72 kg
Bearing capacity: 1650 kg
adm. stacking height: 3 pallets

To transport with quadruple crane tackle (length ≥ 3 m) to be fixed at the provided lifting eyes.

Respect instructions for use!

Year of construction

www.paschal.de

PASCHAL-Werk G. Maier GmbH · Kreuzbühlstraße 5 · 77790 Steinach · Germany
Phone: +49(0)7832/71-0 · Fax: +49(0)7832/71-209 · service@paschal.de · www.paschal.de

