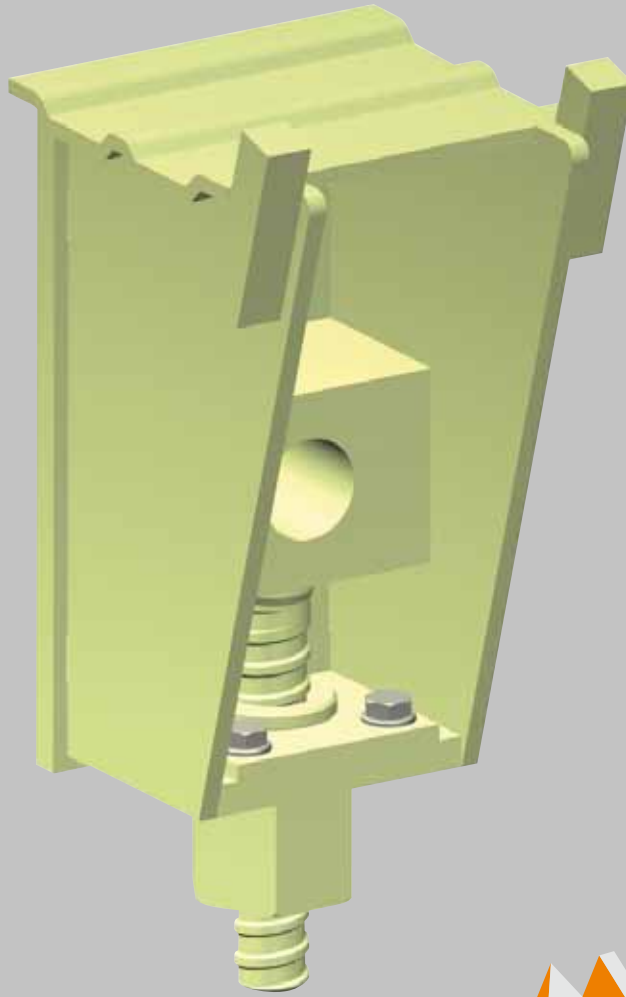


Support bracket LOGO adjustable

Product Information

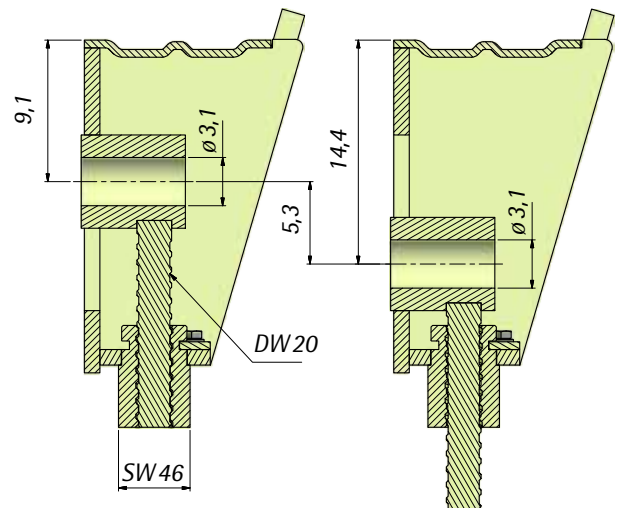
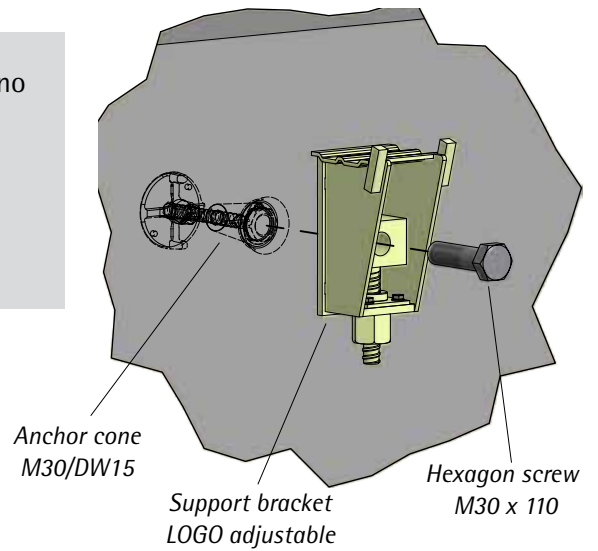
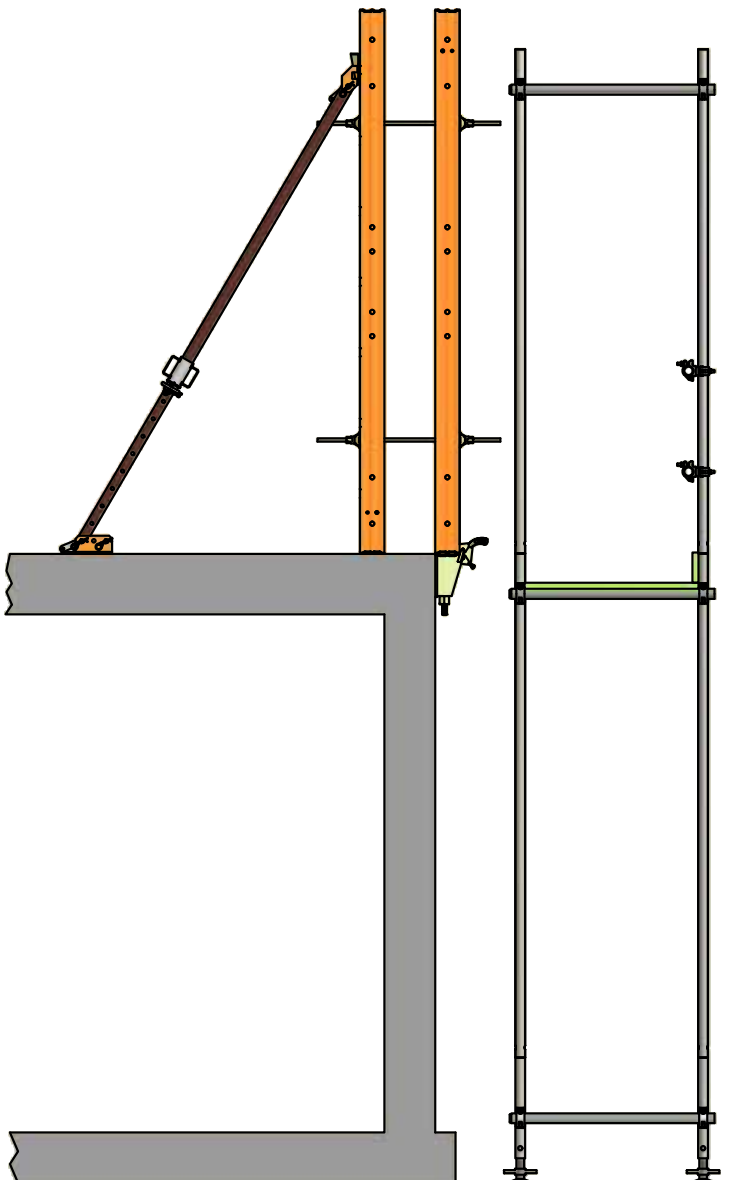


Service in Formwork + Shoring

Support bracket LOGO adjustable

Benefits

- Support of formwork during several concrete steps upwards where no platform shall be used
- Admissible vertical load $V_{adm.} = 15 \text{ kN}$
- Fixing possibility of formwork against lifting with wedge clamp
- Adjustable in height until 5,3 cm.



www.paschal.de/logo3/en

PASCHAL-Werk G. Maier GmbH · Kreuzbühlstraße 5 · 77790 Steinach · Germany
Phone: +49(0)7832/71-0 · Fax: +49(0)7832/71-209 · service@paschal.de · www.paschal.de

PASCHAL
Service in Formwork + Shoring