

LOGO extension bracket

PRODUCT INFORMATION



LOGO extension bracket

For fixing formwork plywood strips for small, on-site height extensions

The LOGO extension bracket 25 cm is one of the accessories for the LOGO wall formwork from PASCHAL and enables small, on-site height extensions.

Benefits

- Easy assembly on the upper panel frame with the wedge clamp
- Use even in confined spaces
- Saving time and materials
- Available in a chromated version for formwork plywood thickness 21 mm and in galvanised version for formwork plywood thickness 27 mm
- Also available for the aluminium version LOGO.alu

Saving time and materials

The extension bracket is ideal for use in confined spaces such as shafts, where horizontal panels cannot be used or where the alignment ratio is still high even with horizontal panels.

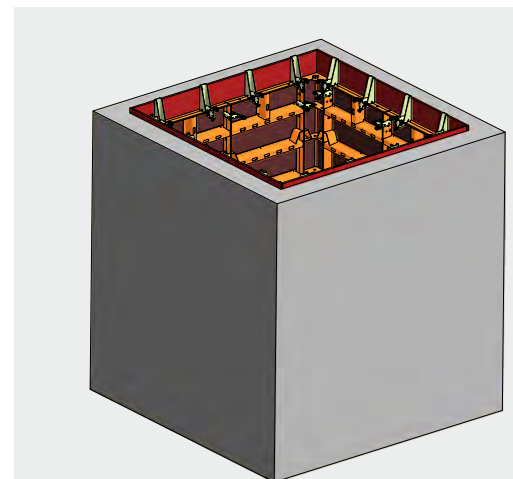
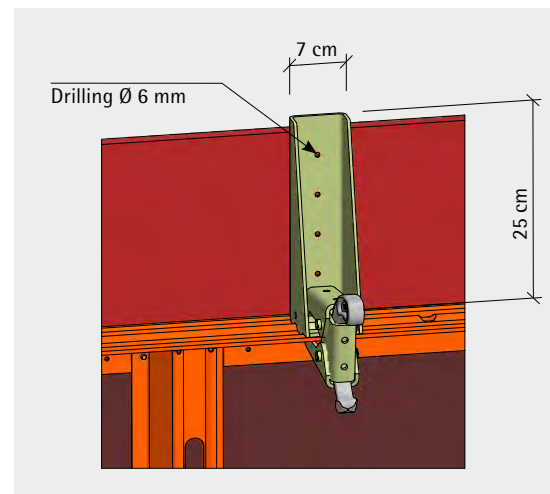
The extension bracket is also ideally suited as a substitute for smaller, horizontally inserted panel widths if these are not available in sufficient numbers.

Easy to assemble with the wedge clamp

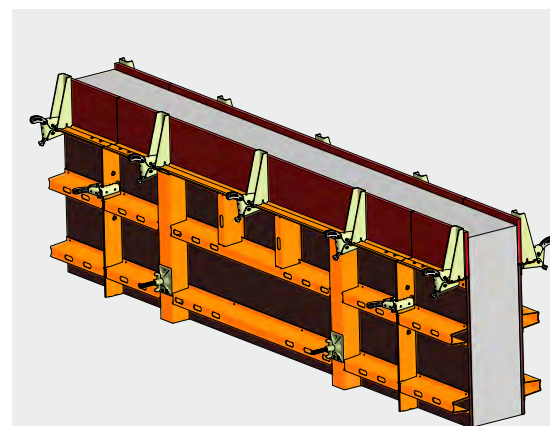
For assembly, first place the extension bracket on the frame of the LOGO.3 panel. Thanks to its shape, the angle fits perfectly into the frame of the panel. The extension bracket is then secured with the wedge clamp.

There are four holes in the stacking angle for fixing the formwork plywood.

Height extensions of up to 40 cm in height are possible with a maximum extension bracket spacing of 70 cm.



The LOGO extension bracket is suitable for use in confined spaces such as shafts.



If small panel widths (used horizontally) are not sufficiently available, extension brackets can be used for height extensions.