



# PASCHAL adjustable props

PRODUCT INFORMATION





# PASCHAL adjustable props

## Quicker forming within the system

PASCHAL adjustable props allow vertical alignment of formwork and finished parts, as well as the transfer of wind forces, and can be used for all formwork systems. They consist of an inner and outer tube.



2 PASCHAL adjustable props

### Benefits



**Can be used with all formwork systems**



**Vertical alignment of the formwork**



#### **Safety**

PASCHAL adjustable props guarantee maximum safety and stability.



#### **Transfer of wind loads**

The foot plate is used at the lower end of the adjustable prop to transfer all loads into the installation surface.



#### **Time-saving pre-assembly**

Adjustable props are fitted to the horizontal formwork and erected together.



#### **Simple and quick fastening**

The right suspending pieces for props are available for fastening every formwork system to the formwork elements of the Modular/GE universal formwork, NeoR lightweight formwork, LOGO wall formwork and Circular trapezoidal girder formwork.

The adjustable props can also be quickly and simply fastened to prefabricated concrete parts or high walls using the suspending pieces for props with quick-lock mechanism.



#### **Simple and quick adjustments**

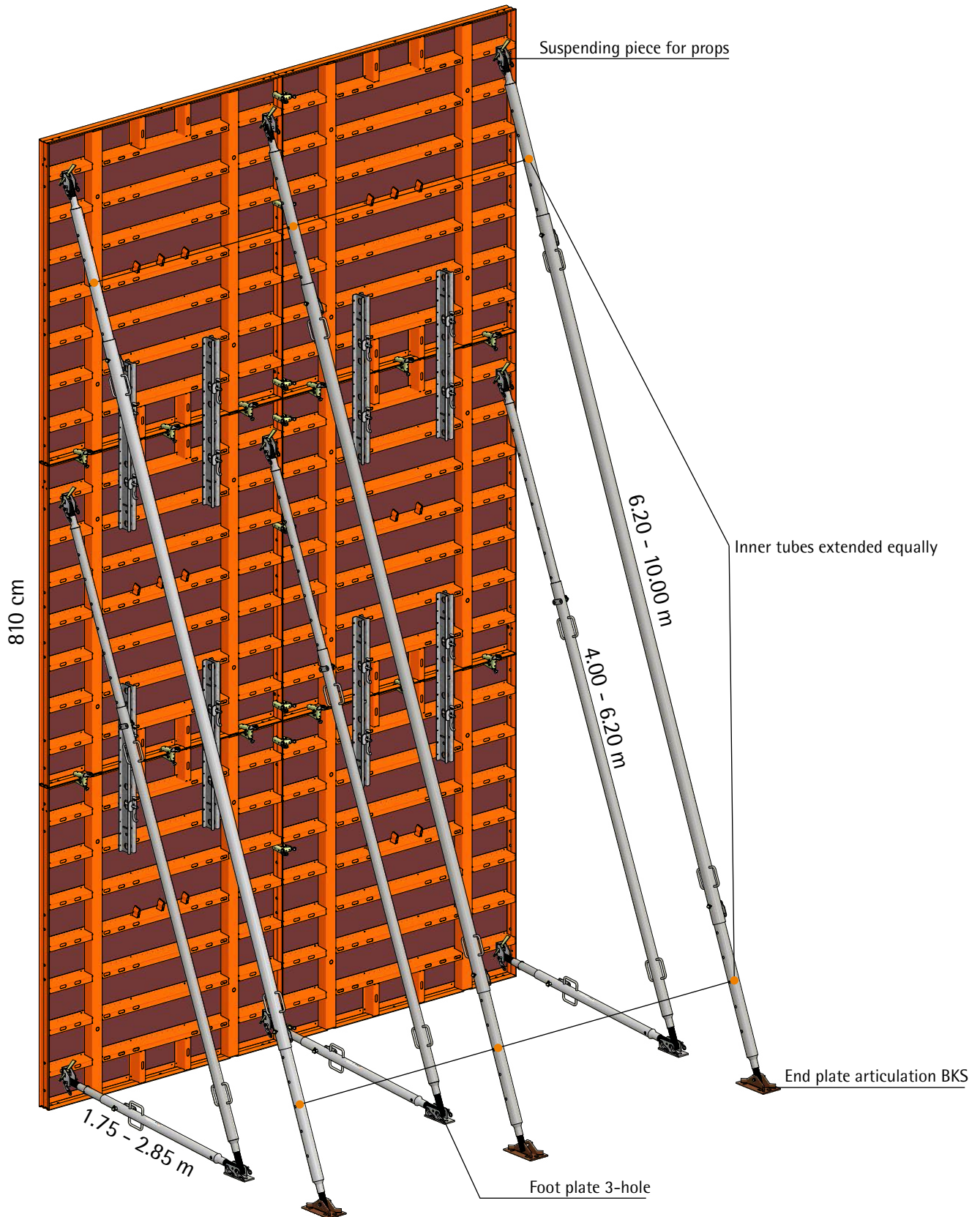
For approximate adjustments, the inner and outer tubes are pushed and secured with a security bolt.

The precise adjustment is performed by turning the outer tube over the integrated handles.



# Sample configuration

Main structure of a formwork (LOGO.3) with adjustable props



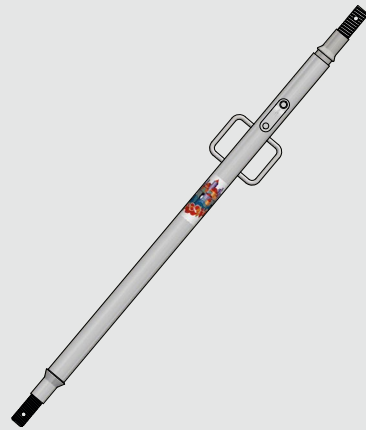
## Adjustable prop

### 175-285 cm

galvanised

N189.005.0014

Adjustable prop	Extension length L [m]	Admissible pressure force D [kN]	Admissible traction force Z [kN]
175-285 cm (18,2 kg)	1,75	36,00	36,00
	2,00	36,00	
	2,60	36,00	
	2,85	27,50	



Adjustable prop 175-285 cm on a construction site in Ringsheim

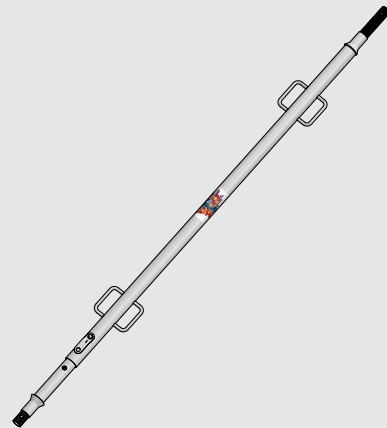
## Adjustable prop

### 255-405 cm

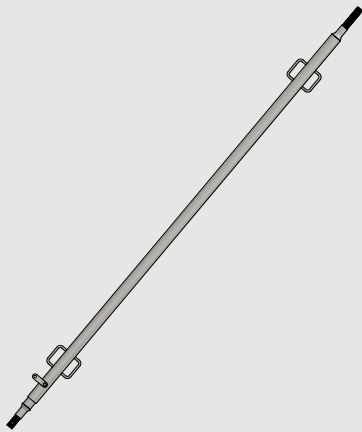
galvanised

N189.005.0015

Adjustable prop	Extension length L [m]	Admissible pressure force D [kN]	Admissible traction force Z [kN]
255-405 cm (33,5 kg)	2,55	40,00	40,00
	2,90	35,80	
	3,30	27,10	
	3,70	20,50	
	4,05	16,50	



Adjustable prop 255-405 cm on a construction site in Sömmerda



Adjustable prop 400-620 cm on a construction site in Beinheim

## Adjustable prop 400-620 cm

galvanised

N189.005.0016

Adjustable prop	Extension length L [m]	Admissible pressure force D [kN]	Admissible traction force Z [kN]
400-620 cm (54,5 kg)	4,00	36,90	40,00
	4,50	29,30	
	5,00	22,90	
	5,50	17,80	
	6,00	13,80	
	6,20	12,60	



Adjustable prop 620-1000 cm on a construction site in Welschensteinach

## Adjustable prop 620-1000 cm

galvanised

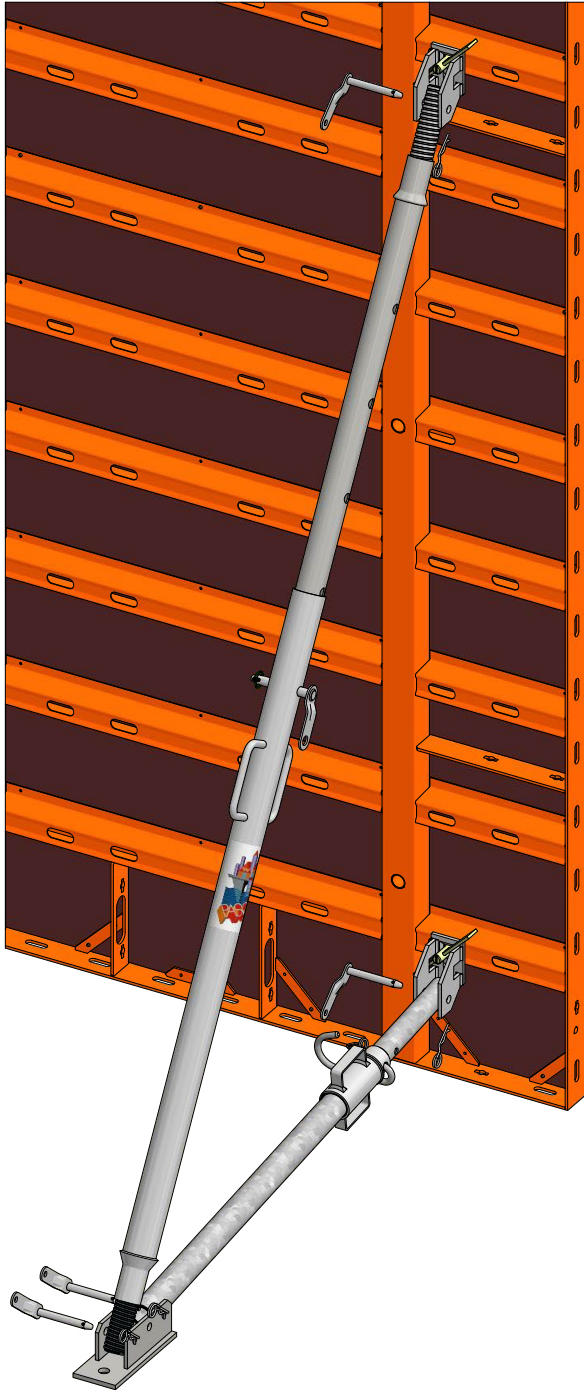
N189.005.0017

Adjustable prop	Extension length L [m]	Admissible pressure force D [kN]	Admissible traction force Z [kN]
620 - 1000 cm (110,0 kg)	6,20	30,00	40,00
	6,50	27,60	
	7,00	24,00	
	7,50	20,80	
	8,00	18,10	
	8,50	15,90	
	9,00	14,10	
	9,50	12,80	
	10,00	12,00	



## Operating principle

Maximum safety at work with simple operation



### Illustrative attachment of the PASCHAL adjustable prop 175-285 cm to the NeoR lightweight formwork.

Attachment to the LOGO formwork is also achieved by fastening the suspending piece for props to the cross profiles of the formwork. Other suspending pieces for props are used for Modular/GE elements or Trapezoidal girder segments.

Adjustable props are used for vertical alignment of formwork and for transferring wind loads into the assembly surface of the formwork.

Various lengths must be selected depending on the height of the formwork.

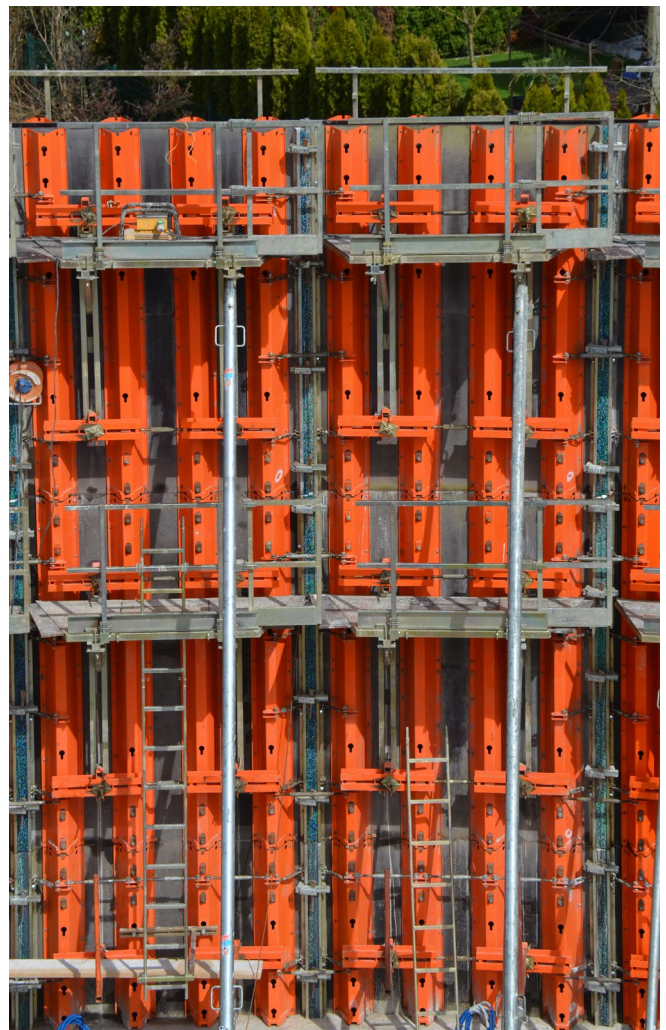
The two figures in the article designation state the basic length and the maximum extension length.

For approximate adjustments, the inner and outer tubes are pushed in 20 cm steps and then secured with a security bolt.

The precise adjustment is then performed by turning the outer tube over the integrated handles.

The connection to the formwork is via suspending pieces for props.

3-hole foot plates are bolted to the assembly surface and connected to the adjustable props.



Adjustable prop 620-1000 cm on a construction site in Beinhem, with the Multip - multifunctional working platform

# Accessories

## PASCHAL suspending piece for props

Assembly of the suspending piece for props L/N/A (N187.500.0003) in 4 simple steps:

1. Insert oblong hole bolt into the slot intended for fastening.
2. Suspending piece for props must contact the profile.
3. Use the wedge to turn the hook headed bolt by 90°.
4. Push the wedge firmly.

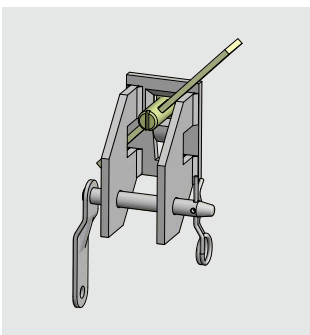
To NeoR lightweight formwork



Fastening the adjustable prop in 4 simple steps:

1. Mount the suspending piece for props to the formwork as described above.
2. Insert the adjustable prop to the suspending piece for prop.
3. Insert the security bolt through the sidelong hole.
4. Secure with the cotter pin.

To NeoR lightweight formwork

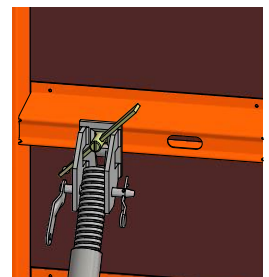


Complete suspending piece for props LOGO/NeoR/Athlet N187.500.0003  
2.00 kg

To NeoR lightweight formwork



To wall formwork LOGO





# Accessories

## PASCHAL suspending piece for props

Fastening the suspending piece for prop (N180.000.0025) to the adjustable prop in 3 simple steps:

To adjustable prop 175-285 cm

1. Slide the suspending piece for prop onto the adjustable prop.



2. Insert the bolt through the sidelong hole.



3. Secure with the cotter pin.



Assembly of the suspending piece for prop (N180.000.0025) in 4 simple steps:

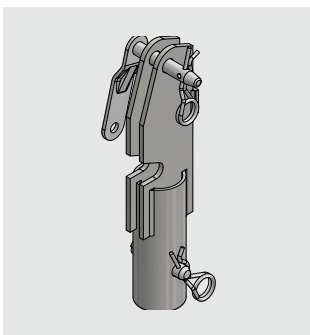
1. Mount the suspending piece for props to the adjustable prop as described above.

2. Place the suspending piece for props over the element frames or the vertical bars.

3. Insert the bolt through the sidelong hole of the suspending piece and the formwork.

4. Secure with the cotter pin.

To modular formwork

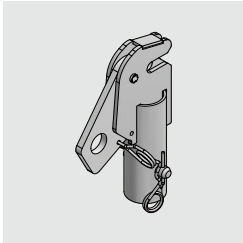


*Suspending piece for props complete NeoR/Modular  
N180.000.0025  
2.65 kg*

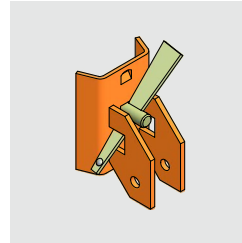


## Accessories

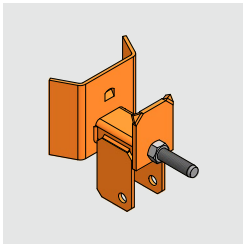
### Other PASCHAL suspending piece for props



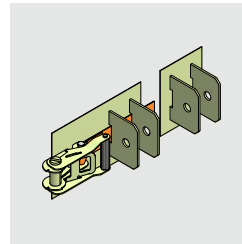
*Suspending piece for props  
cpl. with spring lock  
N189.005.0028  
3.00 kg*



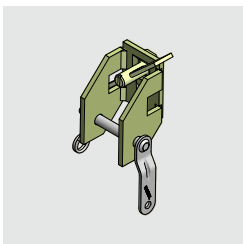
*Suspending piece for props  
for Trapezoidal girder formwork  
N182.000.0096  
3.00 kg*



*Suspending piece GE for props  
and walers cpl.  
N181.000.0004  
4.30 kg*



*Fixation of adjust. prop for  
paperboard column D. 15 - 75 cm  
N185.000.0039  
2.00 kg*



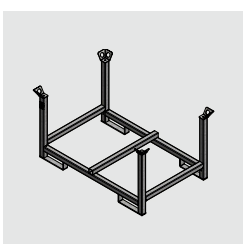
*Suspending piece for props  
70 mm cpl. for Multip L/A  
N187.500.0060  
2.02 kg*

## Transport

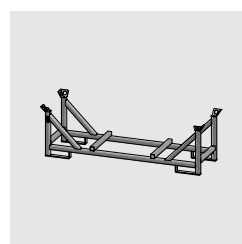
Stacking pallets are used for safe transport and spacesaving storage of adjustable props and slab props. It is easy to move the pallets on the construction site with a crane thanks to the intelligent design and integrated crane eyes. In addition, the stacking pallet is suitable for forklift transport because of the forklift pockets integrated on the underside.

Thanks to the hot-dip galvanising, the stacking pallet is also very long-lived and with a size of 165 x 110 cm has a load carrying capacity of up to 1,500 kg and with a size of 240 x 80 cm has a load carrying capacity of up to 1,650 kg.

It is important that the parts are stored centrally and secured against possible slipping and tipping. As a result of the footprint and the stacking panel of the pallet, multiple pallets can be stacked on top of each other – this saves space and guarantees the overview..



*Stacking pallet 165 x 110 cm  
hot-dip galvanised  
N189.002.0004  
59.00 kg*



*Stacking pallet 240 x 80 cm  
hot-dip galvanised  
N189.002.0005  
72.50 kg*

# Accessories

## PASCHAL foot plates

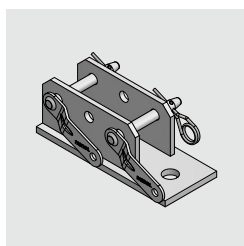
Assembly of the foot plate (N189.005.0023) in 4 simple steps:

1. Insert bottom end of adjustable prop into the foot plate.

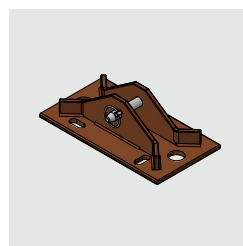
2. Insert security bolt through the longside hole.

3. Secure with the cotter pin.

Foot plate 3 holes cpl.



Foot plate 3 holes cpl.  
N189.005.0023  
4.20 kg

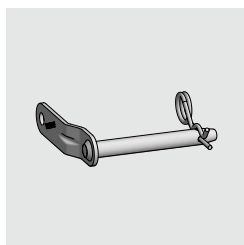


End plate articulation BKS  
mounted  
N189.005.0033  
7.20 kg

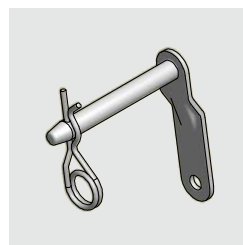


Articulation for prop "I"  
N189.005.0045  
1.50 kg

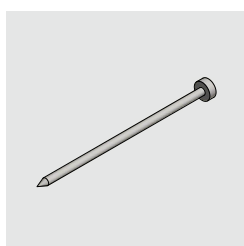
## Other accessories



Security bolt 130  
cpl.  
N189.001.0069  
0.32 kg



Security bolt 100  
cpl.  
N189.001.0070  
0.29 kg



Ground nail D.20 x 55 cm  
forged  
N189.005.0041  
1.70 kg



## Other adjustable props

### Adjustable props RS:



Support  
variable 105-150 cm  
N189.005.0001  
9.50 kg



Adjustable prop  
RS2 180-290 cm  
Pressure: 37-18kN  
Traction: 15kN  
N189.005.0006  
11.00 kg



Adjustable prop  
RSK4 260-400 cm  
Pressure: 38.8-12.8kN  
Traction: 40kN  
N189.005.0007  
20.00 kg



Adjustable prop  
RSK6 460-600 cm  
Pressure: 30.5-9.9kN  
Traction: 40kN  
N189.005.0008  
36.00 kg



Adjustable prop  
RSK8 620-760 cm  
Pressure: 40-9.1kN  
Traction: 40kN  
N189.005.0009  
84.00 kg

### Adjustable props BKS:



Adjustable prop  
BKS4 710-850 cm  
Pressure: 50-32.6kN  
N189.005.0010  
165.20 kg



Adjustable prop  
BKS5 840-980 cm  
Pressure: 50-28.2kN  
N189.005.0060  
187.20 kg



Adjustable prop  
BKS6 970-1110 cm  
Pressure: 45.7-23.8kN  
N189.005.0013  
209.20 kg



Adjustable prop  
BKS7 1080-1220 cm  
Pressure: 39-20.1kN  
N189.005.0034  
237.20 kg



Adjustable prop  
BKS8 1210-1350 cm  
Pressure: 32.5-16.7kN  
N189.005.0058  
259.20 kg

