

LOGO concreting platform

PRODUCT INFORMATION



LOGO concreting platform

Safety at work – make it easy

As complete part, the concreting platform is comprised of two stiffening brackets, the boarding and a guard railing. All components are connected together by articulating joints and can be folded up in a space-saving way for transport or storage.

Benefits

- Unfolded and installed quickly as complete part
- No repeated loss and repurchase of timber for boarding and railings
- Wide and safe work area
- Precast wall adapter for use on precast wall elements
- Permissible surface load 1,50 kN/m²

Use of concreting platform with formwork

To use the concreting platform on the formwork, the guard railing and the suspending pieces are folded out, and the complete platform can be hung on the formwork. The platform can be connected to standing and lying panels, but also to several small panels. Compensation elements between two platforms are possible up to a length of 1.00 m. All of the components necessary for safety are always automatically included on the main part. A lateral protection for the stop-end is also available.

Corner solution

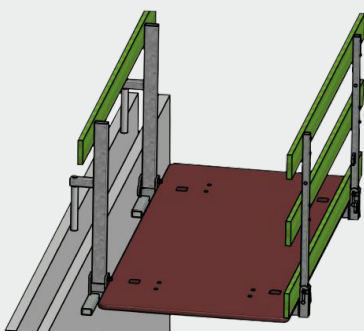
Within the systems there is a concreting platform for inside corner posts.

Precast wall adapter for concreting platform

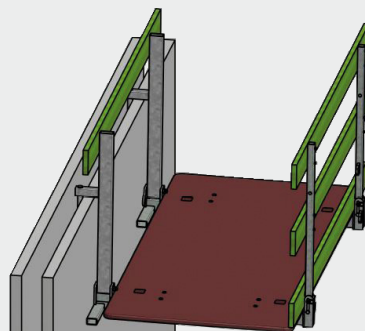
The precast wall adapter enables the use of concreting platform at precast wall elements. Instead of the fixing piece the precast wall adapter will be mounted to the concreting platform.



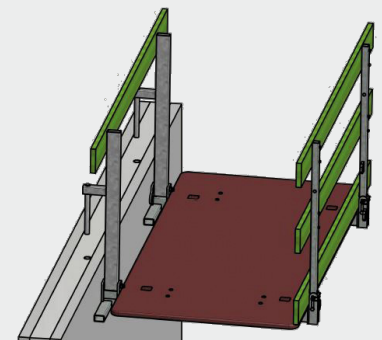
Concreting platforms can be folded for transport or storage to save space.



Put the installation set on the precast wall adapters arbor



Clip the concreting platform with the precast wall adapter



Hang out after concreting. Installation set will stay in concrete as lost piece