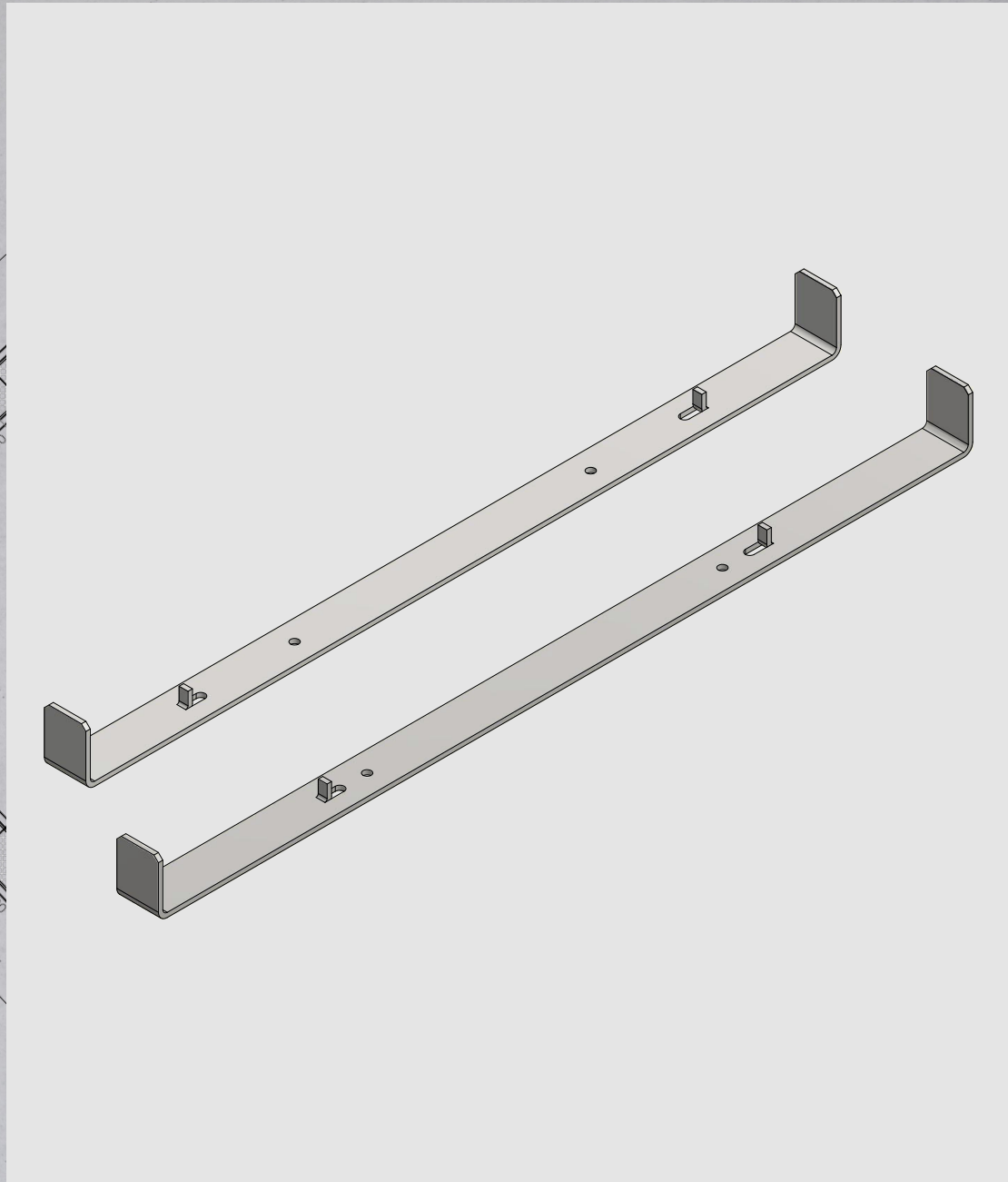




Foundation strap

PRODUCT INFORMATION



Foundation strap

Forming foundations quickly and cost-effectively

The panels of the LOGO wall formwork systems, NeoR lightweight formwork and the Modular/GE universal formwork can also be used horizontally for foundations. As a lower formwork tie for this application, the foundation strap serves as a practical and cost-efficient alternative. It is easy to install, requires no additional connecting parts to the formwork panels and yet safely absorbs all forces. Furthermore, as a lost anchor, it saves additional working space and thus expensive excavation.

Benefits

- Cost savings compared to conventional formwork
- Safe absorption of all forces
- Foundation strap saves additional working space and excavation
- Is supplied to fit the foundation width
- LOGO foundation strap suitable for LOGO.3, LOGO.alu and LOGO.pro
- Foundation strap N/R suitable for the NeoR and Modular formwork systems
- Allows work to be performed without the need for a crane

Save time, reduce costs

The foundation strap is used when complex clamping involving a tie rod, cladding tube and plate with ball-and-socket joint is to be avoided. A lot of space is needed when removing the conventional tie rod. This requires a lot of excavation and again the insertion and compression of the material. This is not necessary at all with the foundation strap. It remains between the ground and the foundation strap as a lost anchor.

The LOGO foundation strap can be used up to a formwork height of 90 cm. Formwork heights of up to 125 cm can be realised with the foundation strap N/R.

Using an economical formwork system right from the foundation

Another advantage lies in the fact that no additional foundation formwork is required on the construction site. With the foundation strap, the available formwork panels can be used horizontally and otherwise also vertically as wall formwork, thus cutting costs.

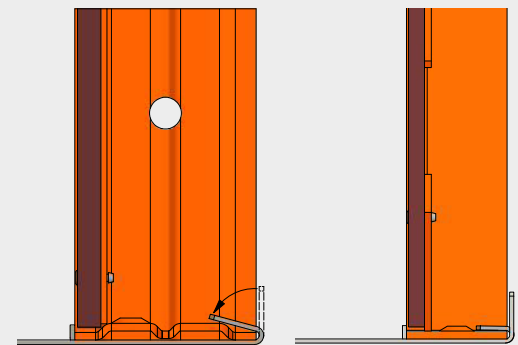
Technical data

Foundation straps for the following foundation widths:

12/15/17,5/20/24/25/30/35/35/36,5/40/45/50/60/70/80/90/100 cm
(other dimensions on request)



The foundation strap is the perfect anchor to form foundations cost-effectively.



The LOGO, NeoR or Modular formwork panel fits between the smaller inner kicker and the larger outer kicker in the foundation strap.



The foundation strap enables the available formwork panels to be used horizontally.