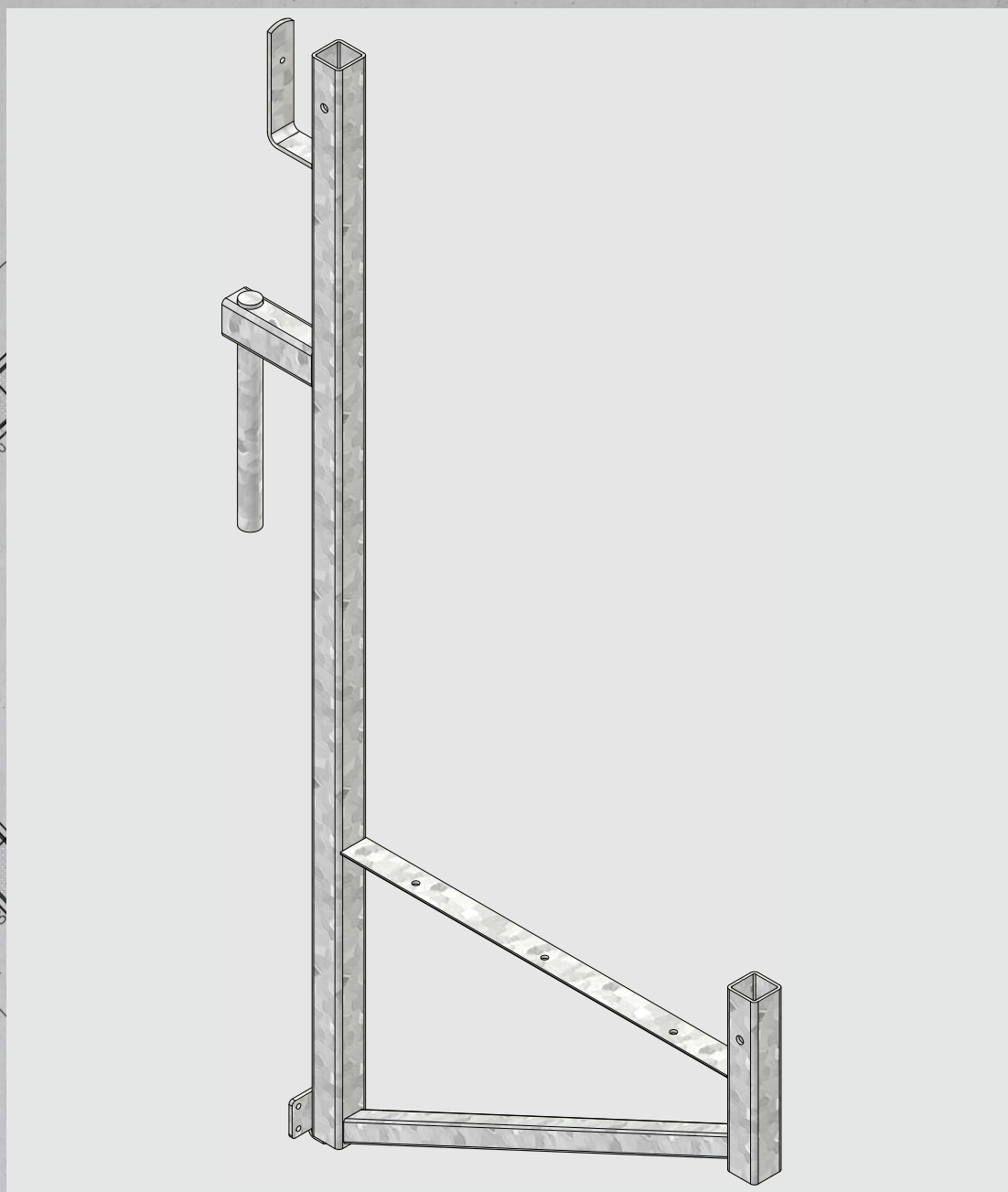


Precast wall platform bracket Secuset

PRODUCT INFORMATION



Precast wall platform bracket Secuset

Simple and quick assembly of the lightweight precast wall platform bracket Secuset on reinforced cavity walls / prefabricated walls up to 8 cm thick. The precast wall platform bracket is suspended in the prefabricated panel wall and completed using scaffolding planks and lateral protection boards or lattices.

Benefits

- Easy assembly
- Lightweight at 13.6 kg
- Quick, cheap and secure concrete scaffolding
- Planks or access platform can be used as boards
- Usable on the insides or outsides of cavity walls
- Fulfils the specifications/regulations of the German building trade association
- Hot-dip galvanized and long-lived
- Thanks to the PVC installation kit, brackets can also be pulled out of hardened concrete
- Second holder for lateral protection on component above

Application information

The precast wall platform bracket Secuset has two attachment possibilities for the post of the Secuset lateral protection system. Safe and quick work is made possible with lateral protection planks and boards. Another toe board on the side facing the cavity wall prevents it from falling forwards.

Compatibility with the Secuset lateral protection system

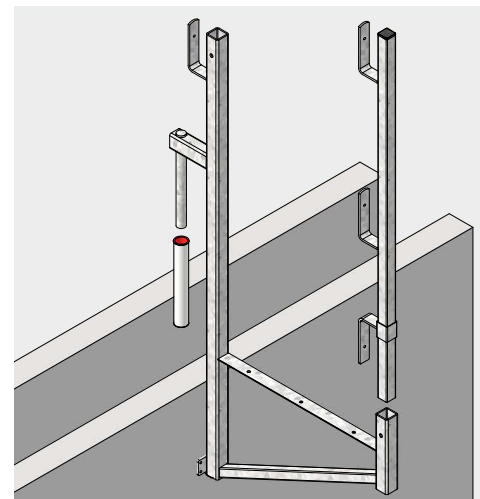
The precast wall platform bracket, like all parts of the Secuset lateral protection system, is fully compatible with the posts and thus also with the lateral protection lattices.

Comprehensive work safety

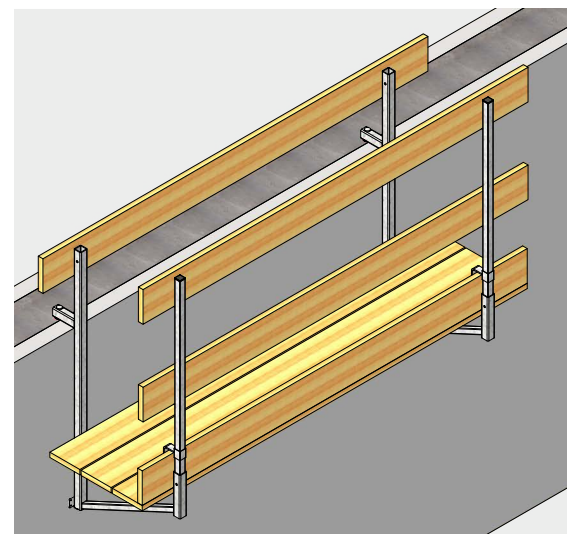
Thanks to its easy handling, the precast wall platform bracket Secuset can be mounted to the prefabricated part effectively and safely. Thanks to the second holder on the side turned away from the parts of the building, lateral protection can be created for work overhead, for example work on the ceiling, by simply attaching another post or moving the existing post.

Longer retention in the concrete

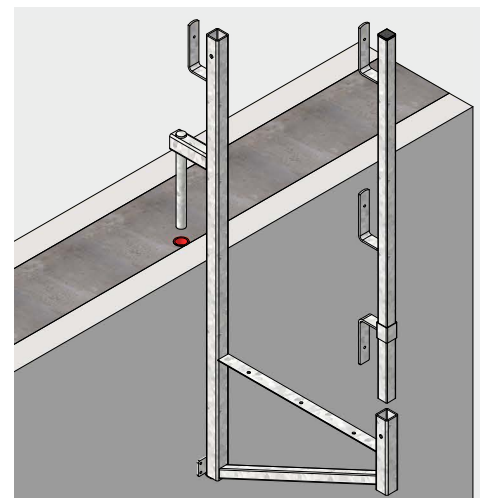
Using the installation set for precast wall adaptor, the precast wall platform bracket can also remain in the concrete long and still be removed after the concrete has solidified. The installation set is placed on the mandrel of the precast wall platform bracket and remains as a lost part in the concrete.



Precast wall platform bracket Secuset with lateral protection posts.



Precast wall platform bracket Secuset with scaffolding planks and lateral protection panels.



The PVC installation set remains in the concrete.